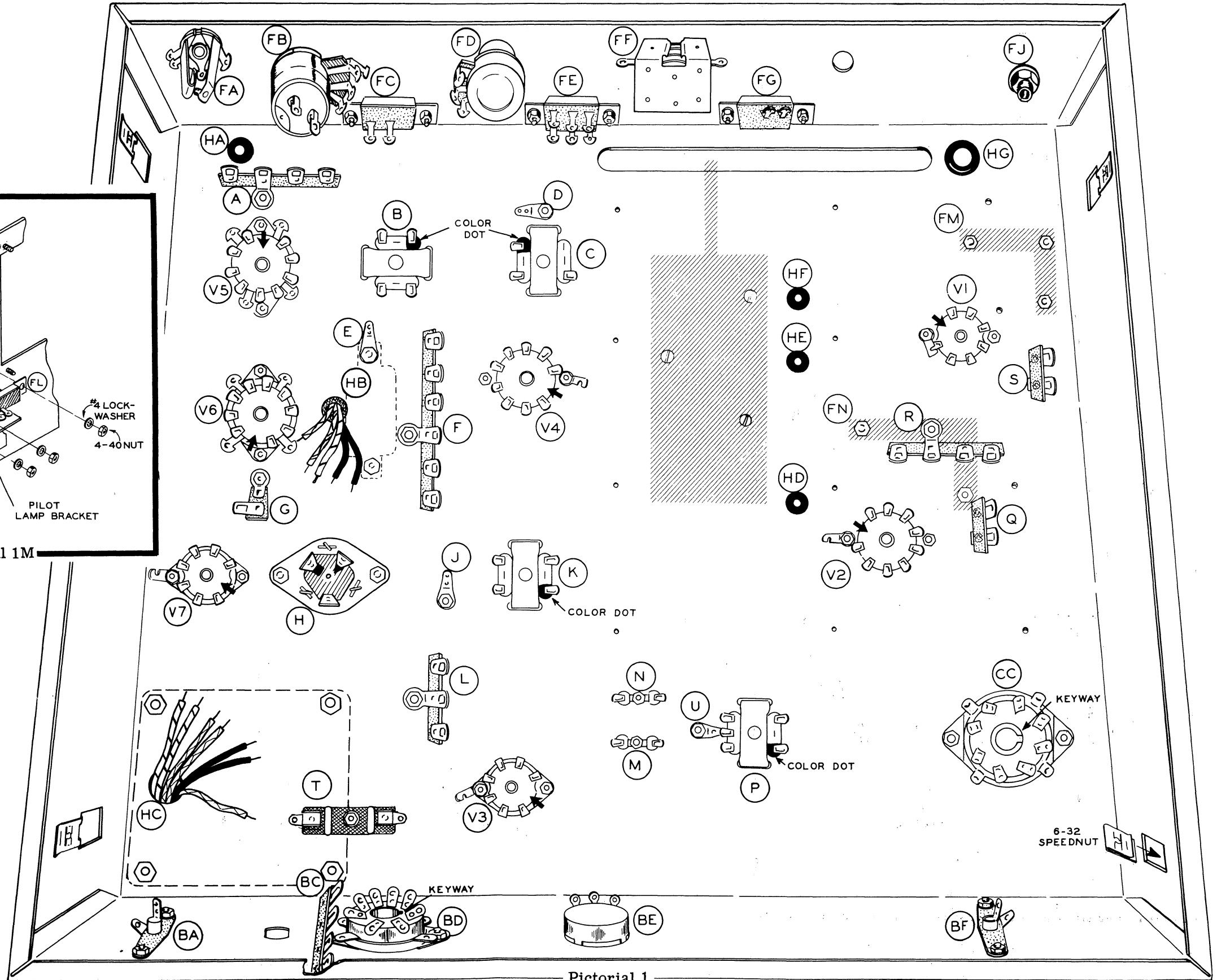
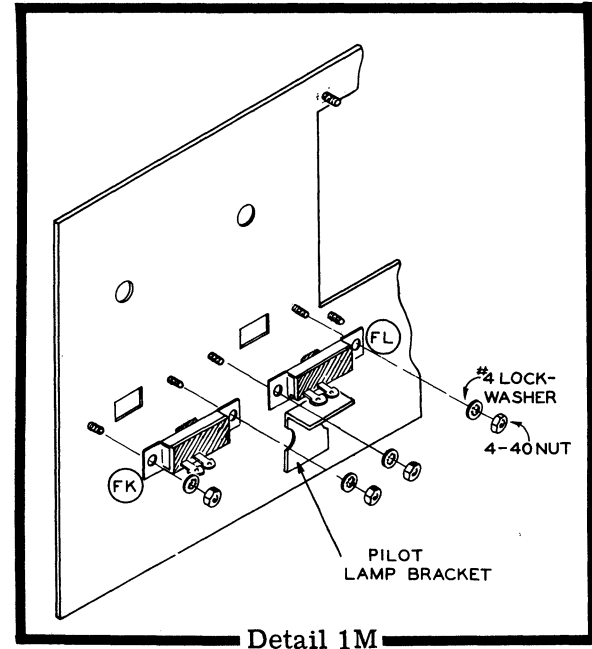


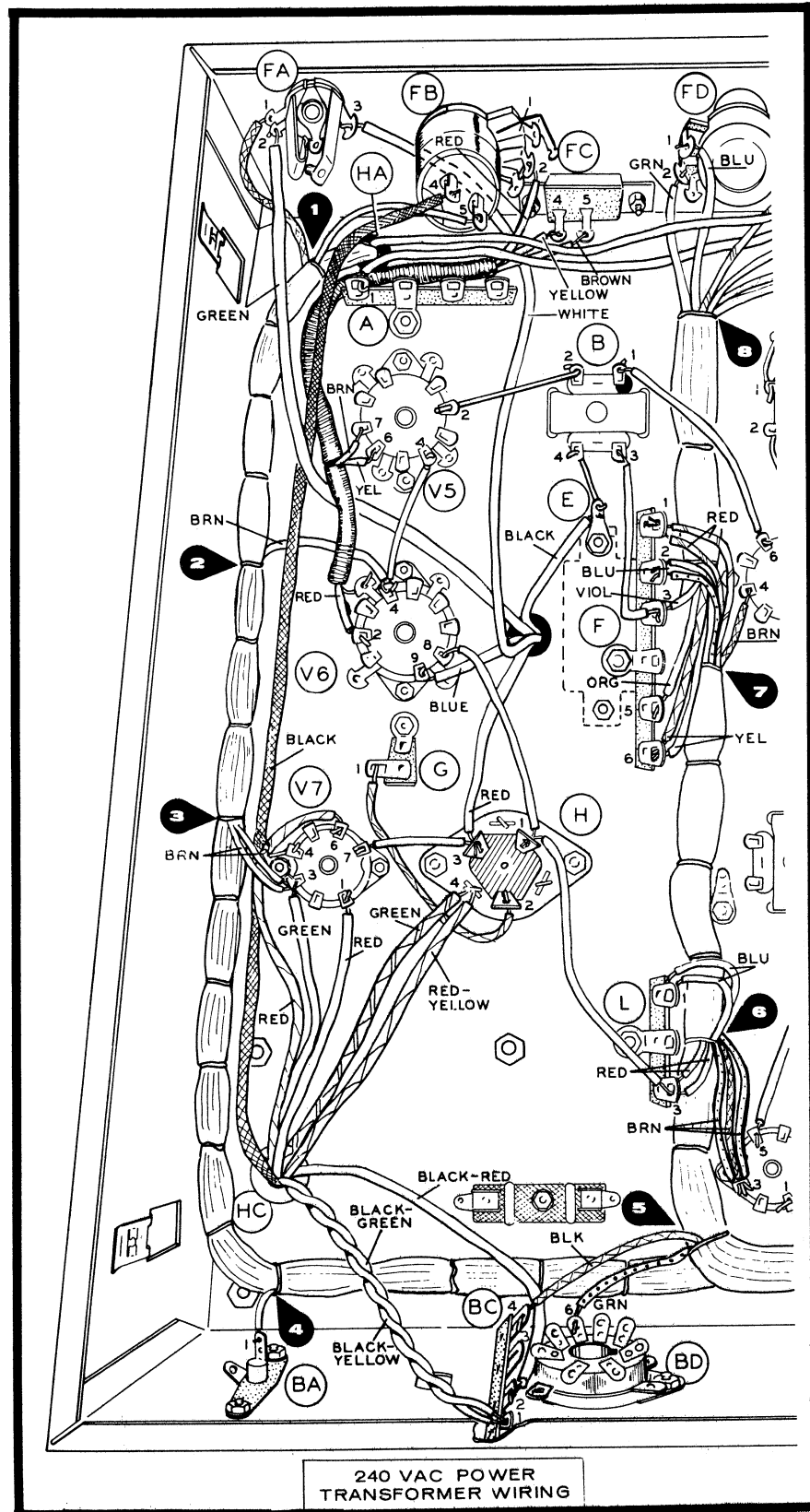
**HEATHKIT SCHEMATIC
OF THE
BASIC AMATEUR BAND RECEIVER
MODEL HR-10B**

NOTES:
 BAND SWITCH SHOWN IN THE 80 METER POSITION.
 RF GAIN MAXIMUM CW.
 SLIDE SWITCHES SHOWN IN THE POSITIONS AS LABELED ON THE SCHEMATIC.
 ALL RESISTORS ARE 1/2 WATT UNLESS SPECIFIED OTHERWISE.
 ALL RESISTOR VALUES ARE IN OHMS, K = 1,000 MEG = 1,000,000.
 ALL CAPACITOR VALUES ARE IN μF UNLESS SPECIFIED OTHERWISE.
 ALL VOLTAGES ARE MEASURED FROM POINT INDICATED TO CHASSIS EXCEPT AC VOLTAGES ON THE TRANSFORMER WINDINGS.
 READINGS WERE TAKEN WITH AN 11 MEGOHM INPUT VTVM.

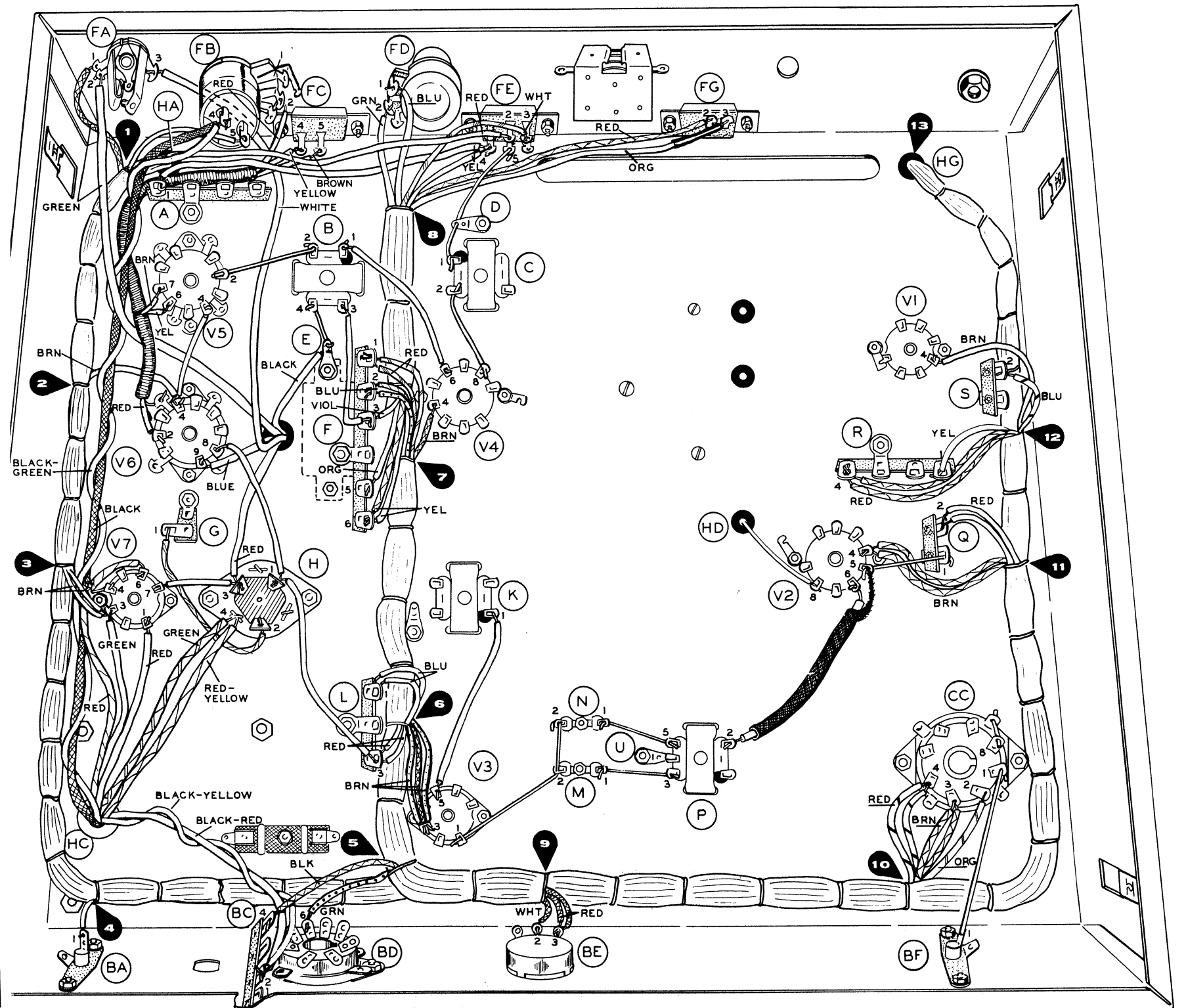
120 VAC WIRING

240 VAC WIRING

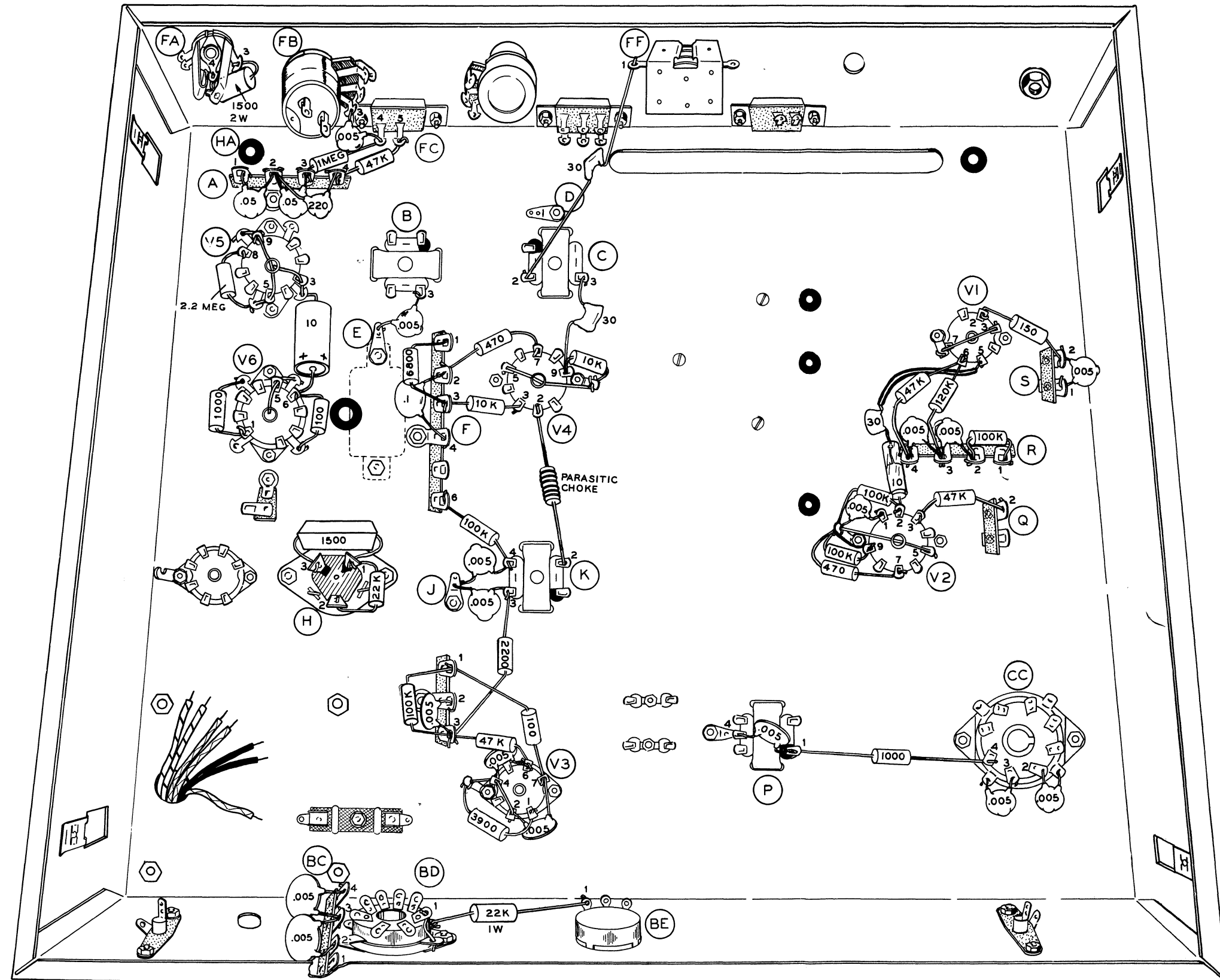




Detail 2A



Pictorial 2



Pictorial 3

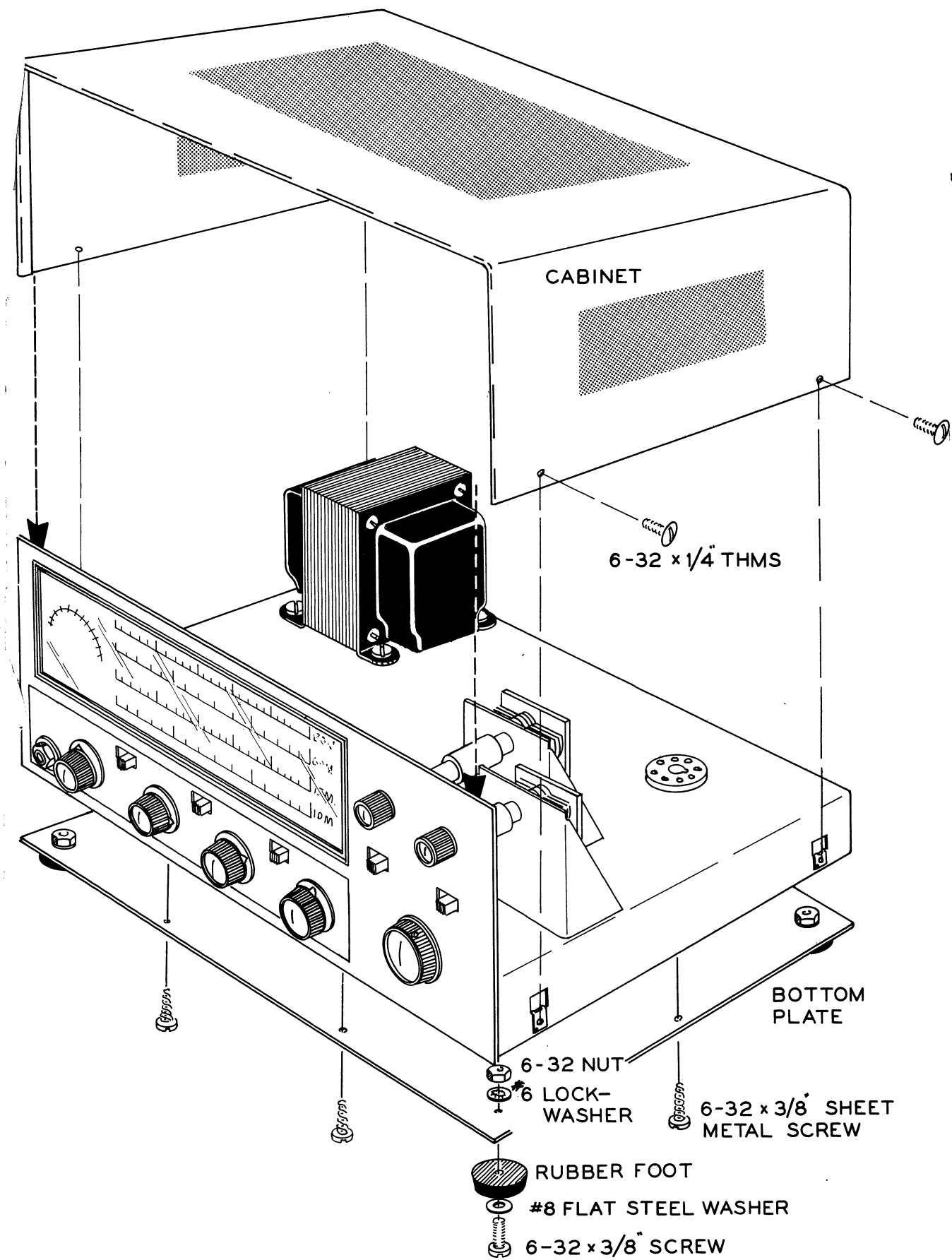
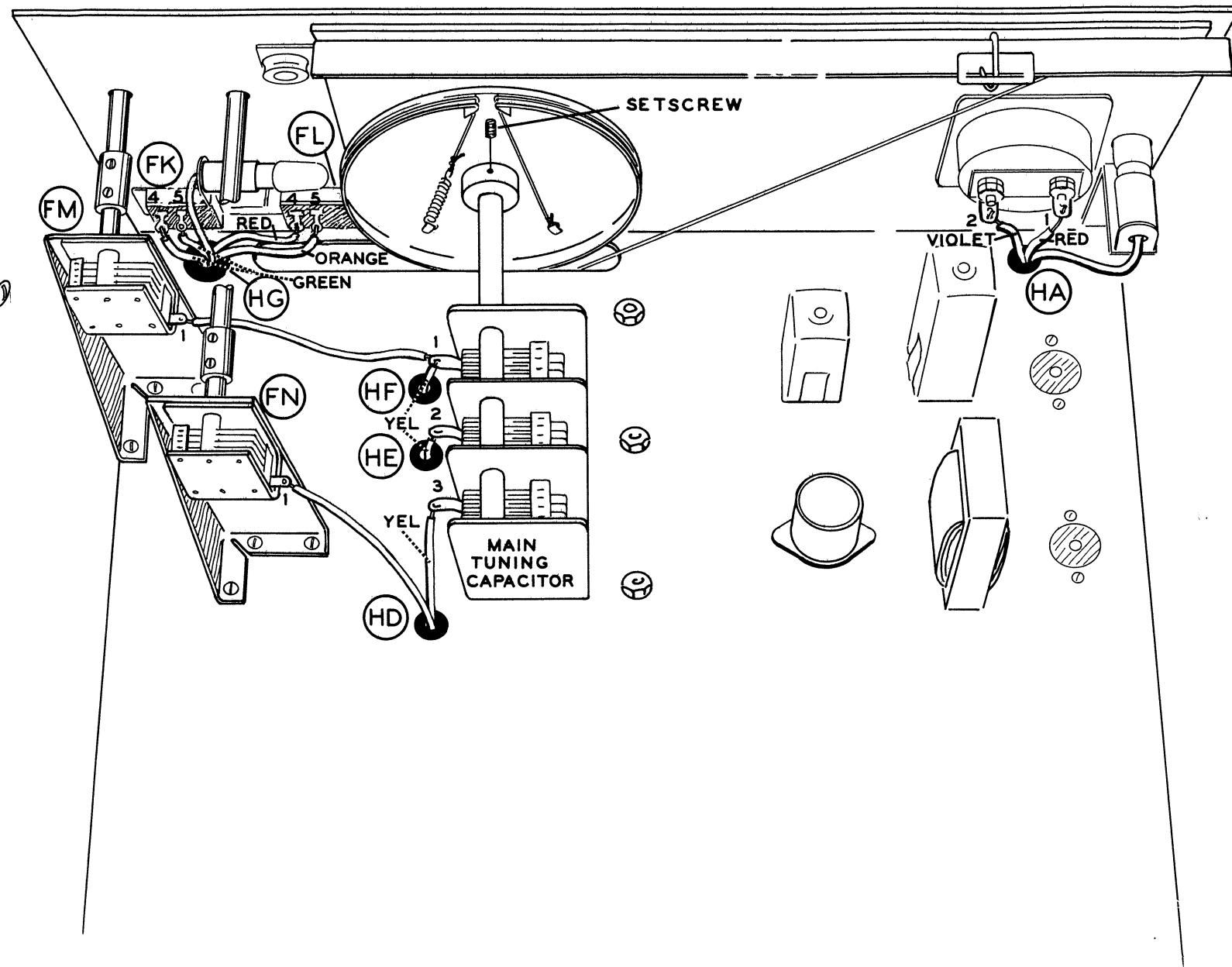


Figure 3



Pictorial 5